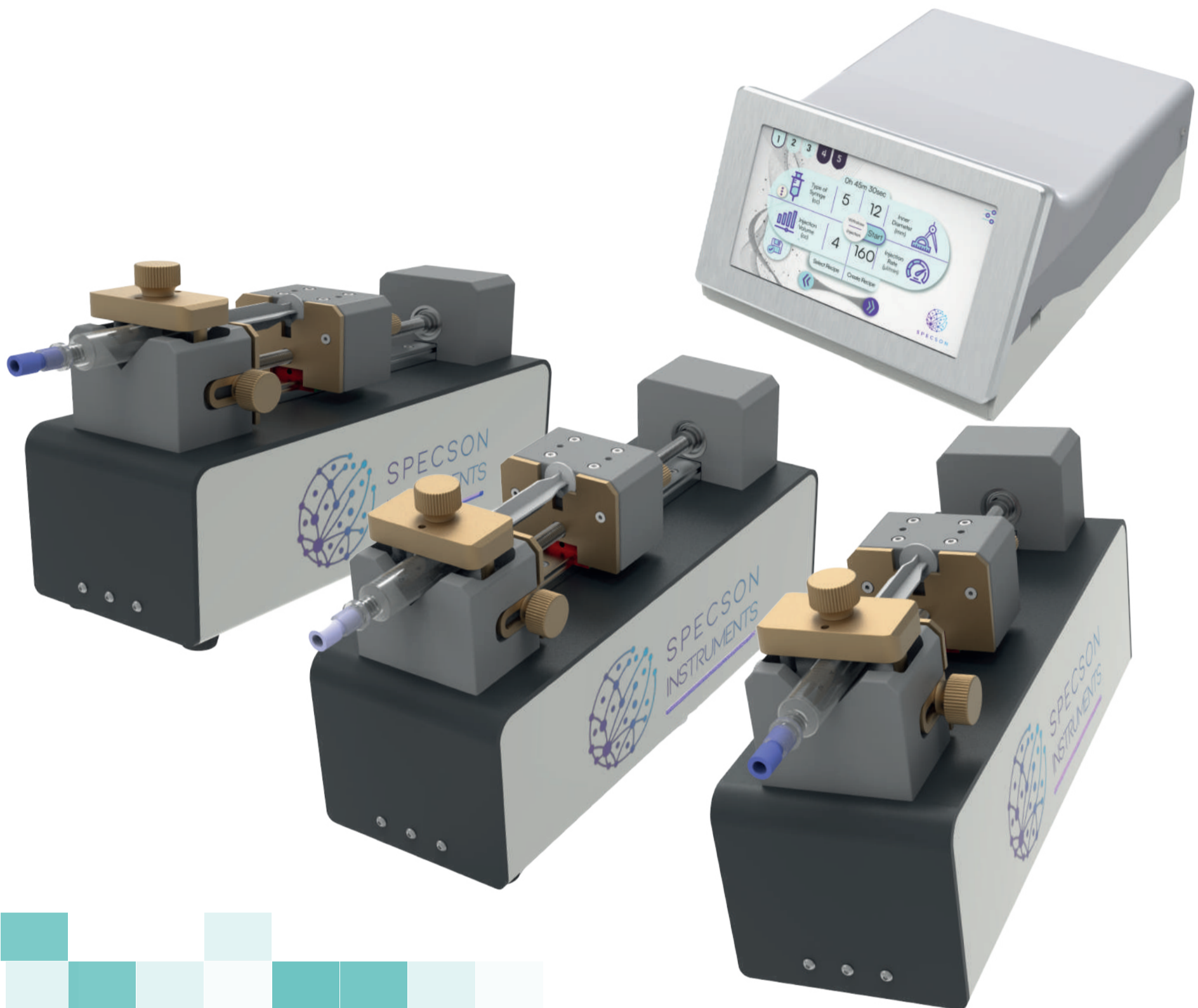




SPECSON
INSTRUMENTS

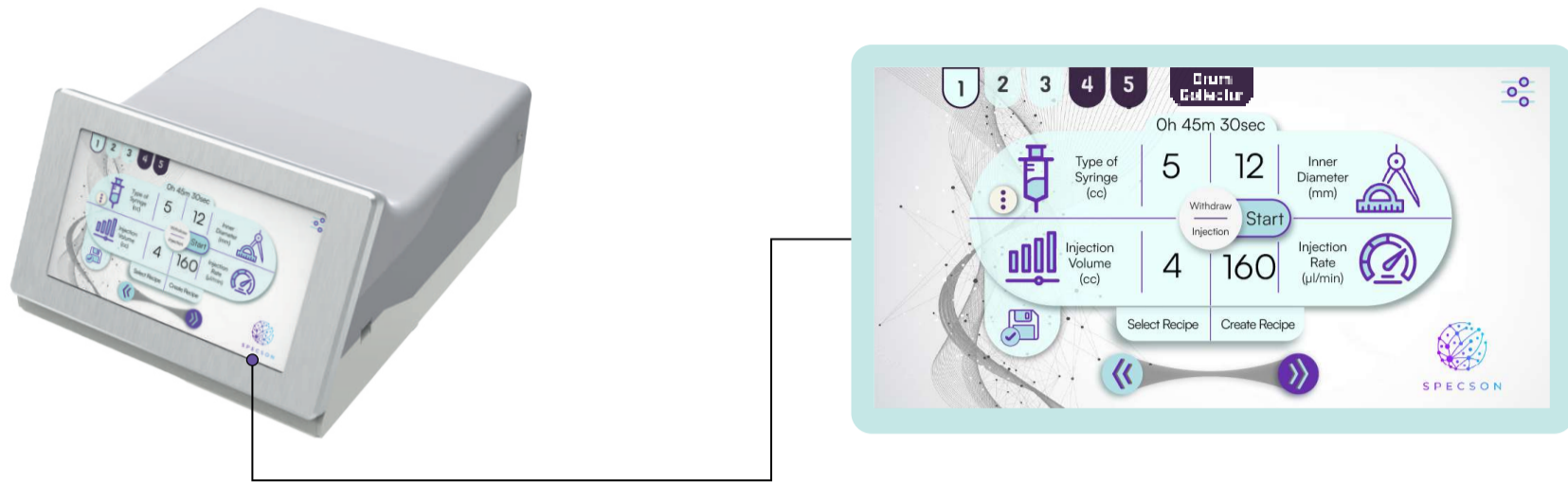
Specson 100-MC



Specson 100-MC

The Specson 100-MC is a modular injection pump with an external control unit. Users can add up to 7 independent channels with individual control. Control unit comes with 7" capacitive touch screen and user friendly interface. Users can easily set infinite number of injection/withdraw steps by using advanced recipe management system. All parts are made out of CNC machined 6061 aluminum.

Specson 100-MC Data Sheet



Technical Specifications

Mode	Infuse/Withdraw
Accuracy	$\pm < 0.40\%$
Reproducibility	$\pm < 0.05\%$
Syringe Size(Min/Max)	0,5 μ to 60mL
Syringe Type	Plastic, Glass and Stainless Steel
Syringe Flow Rates	-----
Minimum Flow Rate	0.0001 μ L/min(with 0.5 μ L syringe)
Maximum Flow Rate	85 mL/min(with 60mL syringe)
Linear Force	61 lb
Multi Steps	Infinite number of loop steps
Display	7 inch LCD Capacitive Touch Screen
Connectivity	USB-B
System Dimensions	303 x 180 x 104 mm
Power	110/220 VAC switches between 110V to
Weight	4.1kg
Motor Drive	1.8° Stepper Motor with Micro-stepping
Step Resolution	0.0528 μ m/step
Operating Temperature	4°C to 52°C (40°F to 116°F)
Storage Temperature	-10°C to 70°C (14°F to 158°F)
Modular Capability	Option to add 8 syringe rack
Parameter Setting	Option to choose time or rate
Humidity	20% to 80% RH, non-condensing
Installation Category	II
Regulatory Compliance	CE

Recipe Management System

You can create your own recipes and easily select and run pre-saved ones.

2

The screenshot shows the main interface of the Recipe Management System. At the top, there are five numbered buttons (1-5) and a 'Drum Collector' button. Below these are input fields for 'enter a name' (with a 'Syringe Menu' dropdown), 'Syringe Type(cc)' (set to 5), and 'Inner Diameter(mm)' (set to 12.44). A 'Save' button is to the right. A table with three columns: 'Mode', 'Volume(mL) or Second (s)', and 'Injection Rate(ul/min)' is displayed. The table contains four rows of data. To the right of the table are navigation arrows, a trash icon, and an 'Add Step' button. Below the table are 'Syringe initial mL' and 'Go' buttons.

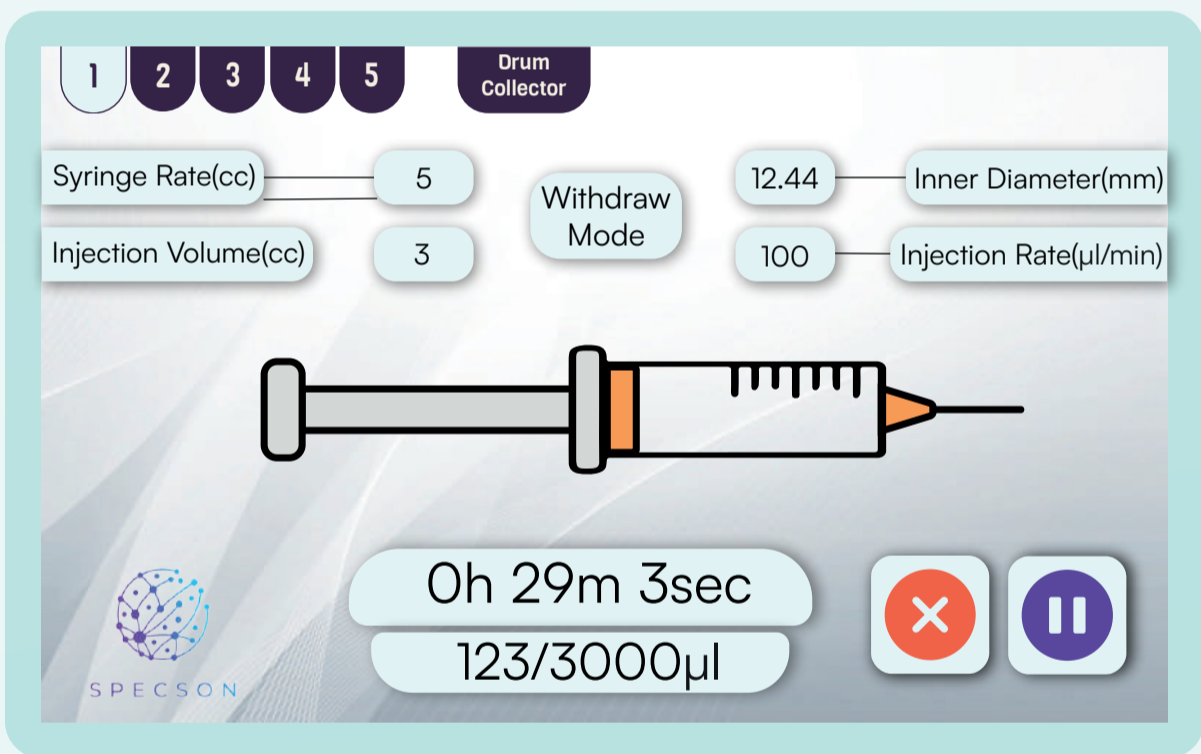
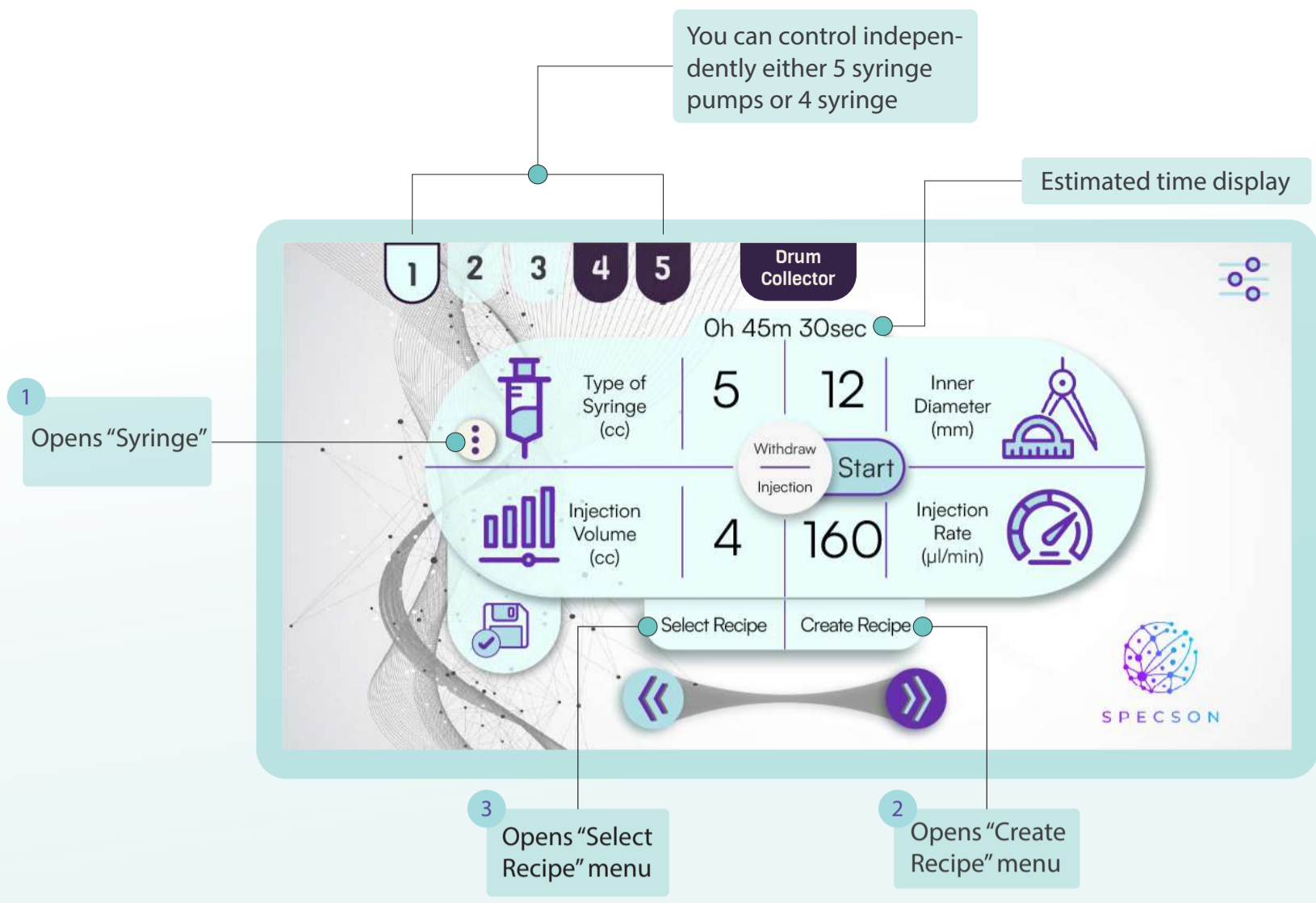
Mode	Volume(mL) or Second (s)	Injection Rate(ul/min)
i	4s	375
w	4s	1200
i	2 mL	1500
w	2s	500

You can select your injection rate and direction here.

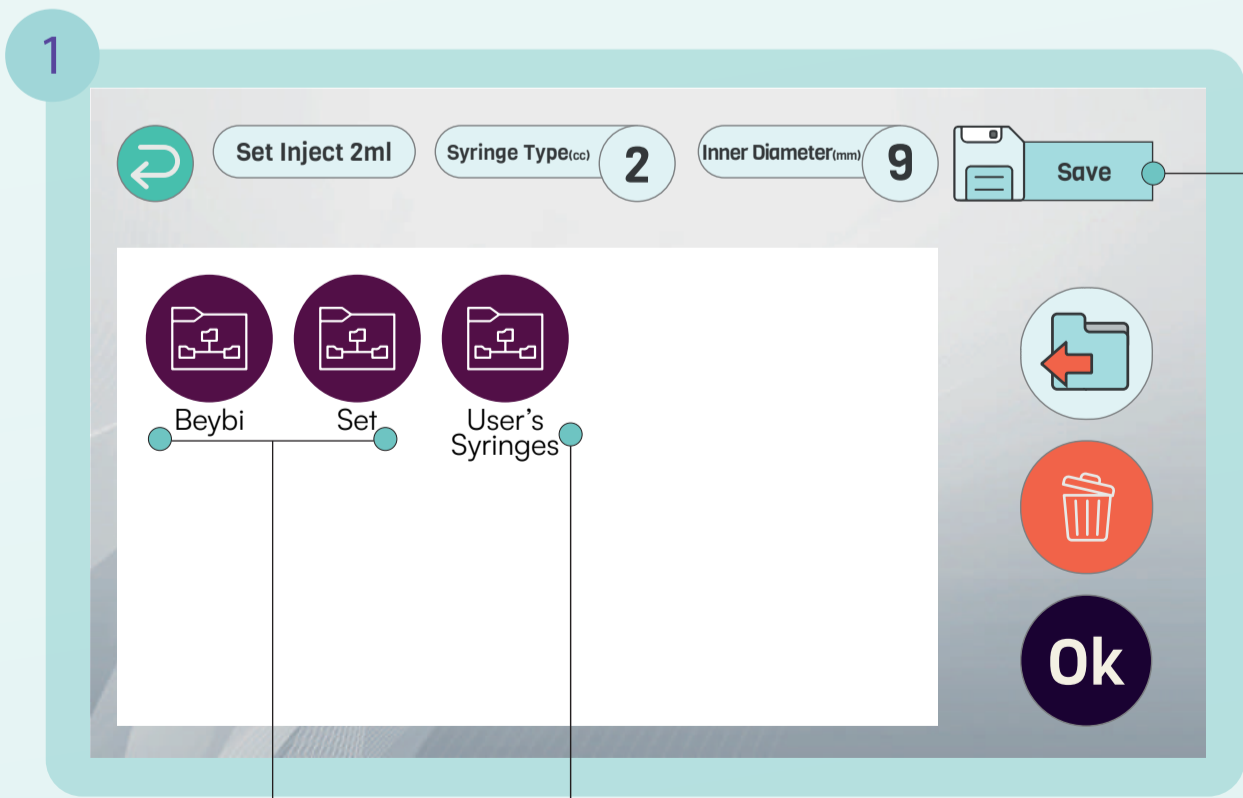
The screenshot shows the 'Injection Type' configuration screen. It features two large circular input fields: 'Injection Volume' set to 6 and 'Injection Rate' set to 100. To the right, there are two rows of toggle buttons. The first row has 'Volume' (selected) and 'Second'. The second row has 'Withdraw' (selected) and 'Injection'. At the bottom, there are 'Add' and 'Cancel' buttons.

3

The screenshot shows the 'Recipe Selection' screen. It displays three recipe icons labeled 'Recipe 1', 'Recipe 2', and 'Recipe 3'. At the bottom, there are three buttons: a back arrow, 'Select', and 'Delete'.



You can monitor start, continue and abort the process.

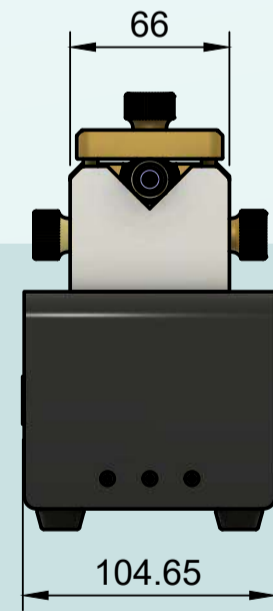
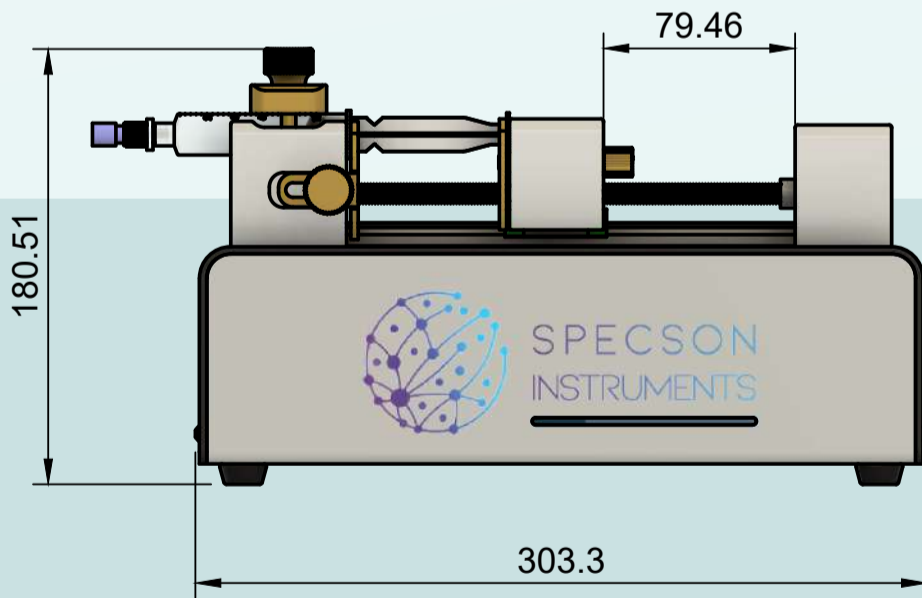
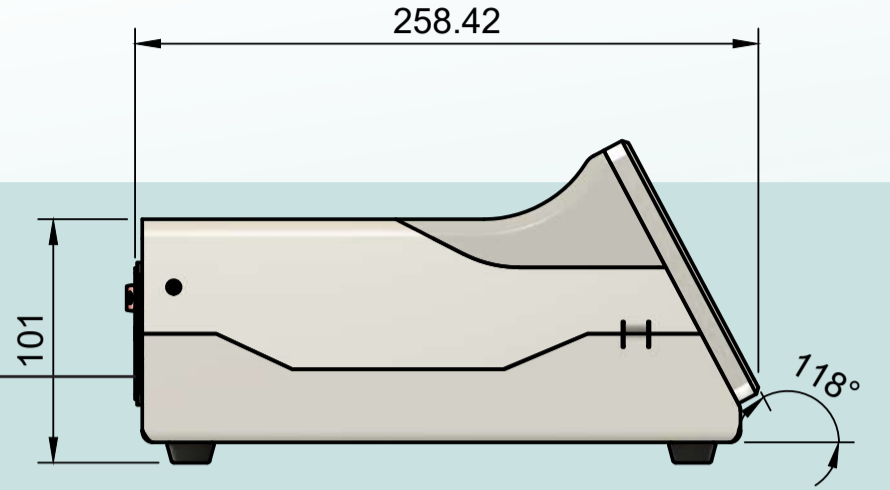
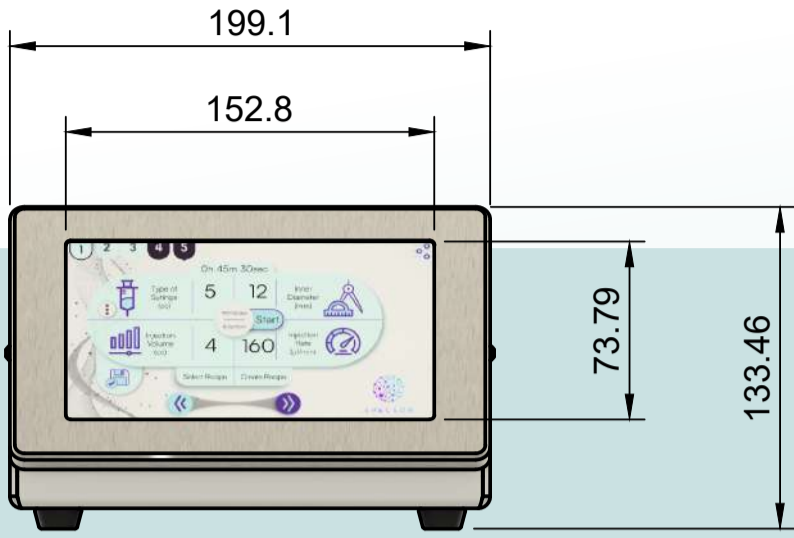


You can create your own syringe from here

You can access pre saved syringes

You can select your saved syringes

Specson 100-MC



Contact us for the customized solutions.

Specson Online Analiz ve Proje Deney Tasarımı Ltd Şti
Mustafa Kemal Mahallesi, Cozone Yerleşkesi No:280, ODTÜ Teknokent
+90 507 922 11 02
infospecson@gmail.com